

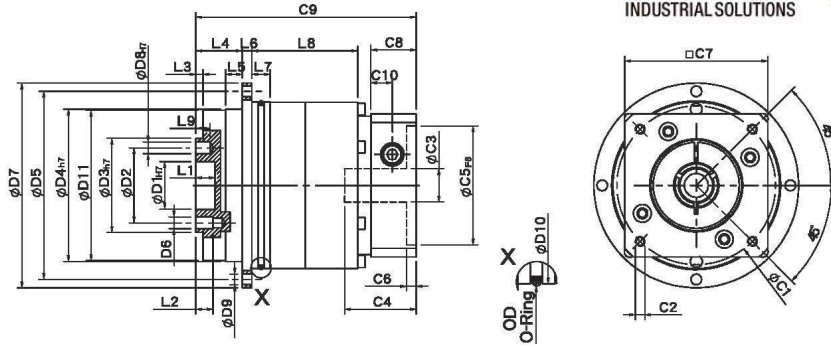
PLANETARY GEARHEADS

FICOBA (Recinto Ferial Gipuzkoa)
AVDA. IPARRALDE, 43 - ROOM 3
20302 IRUN-GIPUZKOA (SPAIN)

☎ 00 34 646 211965
✉ RCC@RCCINDUSTRIAL.COM
📍 RCCINDUSTRIAL

WWW.RCCINDUSTRIAL.COM

PHF Single Stage Dimensions PHF單段外型尺寸圖



Specifications 規格

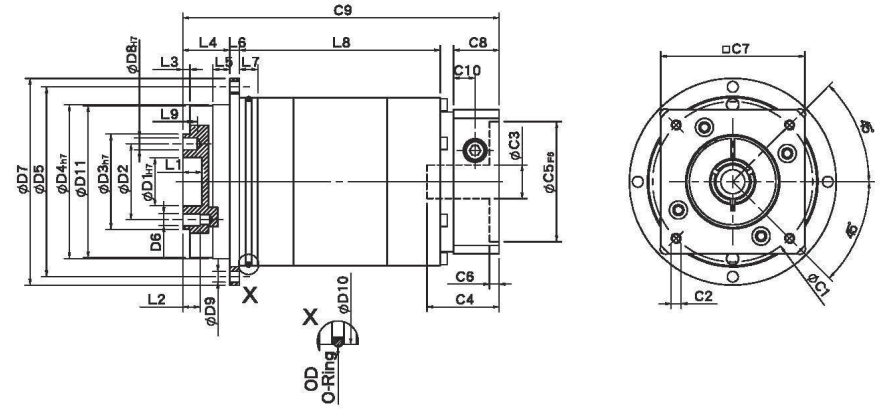
Unit:mm

尺寸 Dimensions	PHF42	PHF60	PHF90	PHF115	PHF142	PHF200	PHF255
D1 _{h7}	12	20	31.5	40	50	80	-
D2	20	31.5	50	63	80	125	-
D3 _{h7}	28	40	63	80	100	160	-
D4 _{h7}	47	64	90	110	140	200	-
D5	67	79	109	135	168	233	-
D6	M3x0.5P	M5x0.8P	M6x1.0P	M6x1.0P	M8x1.25P	M10x1.5P	-
D7	72	86	118	145	179	247	-
D8 _{h7}	3	5	6	6	8	10	-
D9	3.4	4.5	5.5	5.5	6.6	9	-
D10	60	70	95	120	152	212	-
D11	46.2	63.2	89.2	109.2	139.2	199.2	-
L1	4	8	12	12	12	12	-
L2	6	7.2	12	13.5	16	22.5	-
L3	3	3	6	6	6	8	-
L4	19.5	19.5	30	29	38	50	-
L5	7	7	10	10	14.6	15	-
L6	4	4	7	8	10	12	-
L7	5	7.7	8	10	12	17	-
L8	25	37.5	36.5	54.5	65	92	-
L9	4	6	7	7	7	10	-
C1 ²	46	70	90	115	145	200	-
C2 ²	M4x0.7P	M5x0.8P	M6x1.0P	M8x1.25P	M8x1.25P	M12x1.75P	-
C3 ²	≤8/≤11	≤14	≤19/≤24	≤24/≤32	≤35/≤38	≤50	-
C4 ²	28.1	36.5	41.2	51.1	69.7	81	-
C5 ² F ₆	30	50	70	95	110	114.3	-
C6 ²	4	4	6.7	6	8.5	6	-
C7 ²	42	60	90	115	140	182	-
C8 ²	16.5	19	25.5	30	38	40	-
C9 ²	74.8	92.5	107	131.5	171.5	215	-
C10 ²	7.4	9	11.3	13.9	17.8	21	-
OD	56x2	66x2	90x3	110x3	145x3	200x5	-

* C1~C9是公製標準馬達連接板尺寸,請依所選用的馬達決定。
* 本公司有權針對以上數據規格進行設計變更不先行告知。

* C1~C9 are motor specific dimensions(metric std shown),
Size may vary according to motor flange.
* Specification subject to change without notice.

PHF Double Stage Dimensions-1 PHF雙段外型尺寸圖-1



Specifications 規格

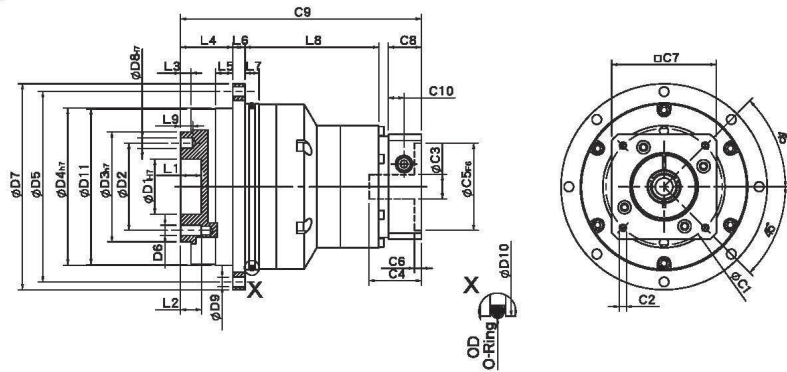
Unit:mm

尺寸 Dimensions	PHF42	PHF60	PHF90	PHF115	PHF142	PHF200	PHF255
D1 _{h7}	12	20	31.5	-	-	-	-
D2	20	31.5	50	-	-	-	-
D3 _{h7}	28	40	63	-	-	-	-
D4 _{h7}	47	64	90	-	-	-	-
D5	67	79	109	-	-	-	-
D6	M3x0.5P	M5x0.8P	M6x1.0P	-	-	-	-
D7	72	86	118	-	-	-	-
D8 _{h7}	3	5	6	-	-	-	-
D9	3.4	4.5	5.5	-	-	-	-
D10	60	70	95	-	-	-	-
D11	46.2	63.2	89.2	-	-	-	-
L1	4	8	12	-	-	-	-
L2	6	7.2	12	-	-	-	-
L3	3	3	6	-	-	-	-
L4	19.5	19.5	30	-	-	-	-
L5	7	7	10	-	-	-	-
L6	4	4	7	-	-	-	-
L7	5	7.7	8	-	-	-	-
L8	54.5	72.5	81.5	-	-	-	-
L9	4	6	7	-	-	-	-
C1 ²	46	70	90	-	-	-	-
C2 ²	M4x0.7P	M5x0.8P	M6x1.0P	-	-	-	-
C3 ²	≤8/≤11	≤14	≤19/≤24	-	-	-	-
C4 ²	28.1	36.4	41.2	-	-	-	-
C5 ² F ₆	30	50	70	-	-	-	-
C6 ²	4	4	6.7	-	-	-	-
C7 ²	42	60	90	-	-	-	-
C8 ²	16.5	19	25.5	-	-	-	-
C9 ²	102.5	127.5	151.1	-	-	-	-
C10 ²	7.4	9	11.3	-	-	-	-
OD	56x2	66x2	90x3	-	-	-	-

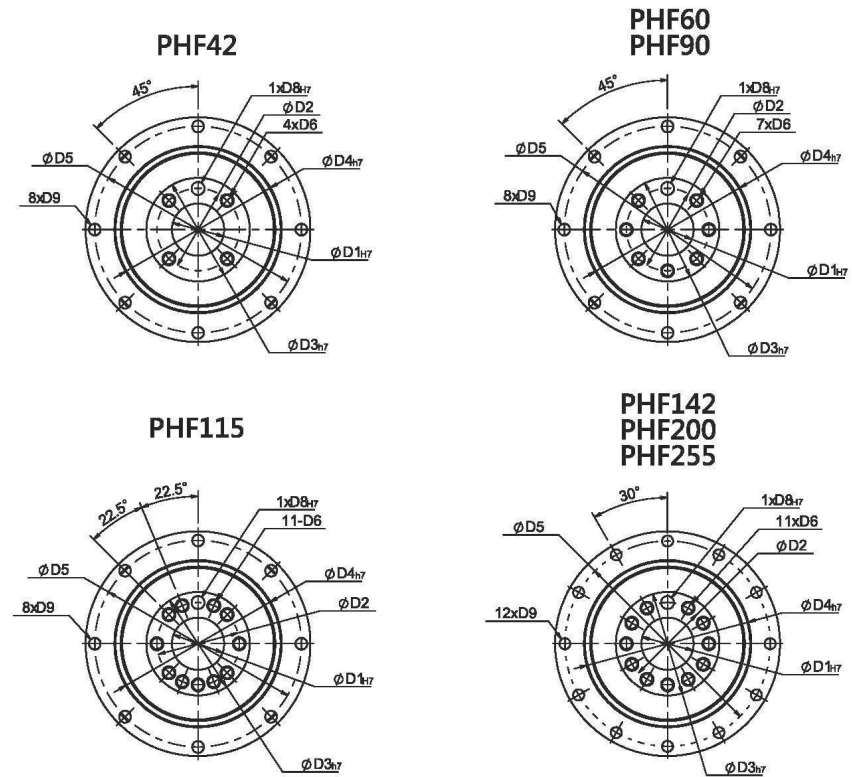
* C1~C9是公製標準馬達連接板尺寸,請依所選用的馬達決定。
* 本公司有權針對以上數據規格進行設計變更不先行告知。

* C1~C9 are motor specific dimensions(metric std shown),
Size may vary according to the motor flange.
* Specification subject to change without notice.

PHF Double Stage Dimensions-2 PHF雙段外型尺寸圖-2



PHF Flange Dimensions PHF法蘭面尺寸圖



Specifications 規格

Unit:mm

尺寸 Dimensions	PHF60T	PHF90T	PHF115T	PHF142T	PHF200T	PHF255T
D1 _{H7}	20	31.5	40	50	80	-
D2	31.5	50	63	80	125	-
D3 _{H7}	40	63	80	100	160	-
D4 _{H7}	64	90	110	140	200	-
D5	79	109	135	168	233	-
D6	M5x0.8P	M6x1.0P	M6x1.0P	M8x1.25P	M10x1.5P	-
D7	86	118	145	179	247	-
D8 _{H7}	5	6	6	8	10	-
D9	4.5	5.5	5.5	6.6	9	-
D10	70	95	120	152	212	-
D11	63.2	89.2	109.2	139.2	199.2	-
L1	8	12	12	12	12	-
L2	7.2	12	13.5	16	22.5	-
L3	3	6	6	6	8	-
L4	19.5	30	29	38	50	-
L5	7	10	10	14.6	15	-
L6	4	7	8	10	12	-
L7	7.7	8	10	12	17	-
L8	65.2	69.5	93.5	110	161.7	-
L9	6	7	7	7	10	-
C1 ²	46	70	90	115	145	-
C2 ²	M4x0.7P	M5x0.8P	M6x1.0P	M8x1.25P	M8x1.25P	-
C3 ²	≤8/≤11	≤14	≤19/≤24	≤24/≤32	≤35/≤38	-
C4 ²	28.1	36.5	41.2	51.1	69.7	-
C5 ² _{F6}	30	50	70	95	110	-
C6 ²	4	4	6.7	6	8.5	-
C7 ²	42	60	90	115	140	-
C8 ²	16.5	19	25.5	30	38	-
C9 ²	113.2	138	163.1	198	281	-
C10 ²	7.4	9	11.3	13.9	17.8	-
OD	66x2	90x3	110x3	145x3	200x5	-

Specifications 規格

Unit:mm

尺寸 Dimensions	PHF42	PHF60	PHF90	PHF115	PHF142
D1 _{H7}	12	20	31.5	40	50
D2	20	31.5	50	63	80
D3 _{H7}	28	40	63	80	100
D4 _{H7}	47	64	90	110	140
D5	67	79	109	135	168
D6	M3x0.5P	M5x0.8P	M6x1.0P	M6x1.0P	M8x1.25P
D8 _{H7}	3	5	6	6	8
D9	3.4	4.5	5.5	5.5	6.6

* C1~C9是公製標準馬達連接板尺寸,請依所選用的馬達決定。
 * C1~C9是 motor specific dimensions(metric std shown).
 Size may vary according to motor flange.
 * 本公司有權針對以上數據規格進行設計變更不先行告知。
 * Specification subject to change without notice.

* 本公司有權針對以上數據規格進行設計變更不先行告知。
 * Specification subject to change without notice.